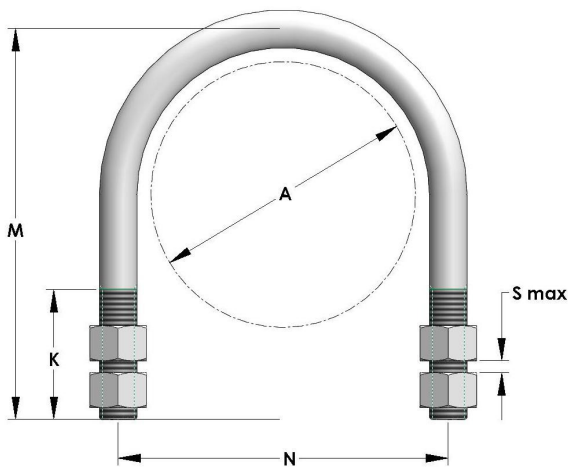


When ordering, please quote the Part No. for required pipe size and material.



		Material	
U Bolt	Carbon Steel	Stainless Steel	
Nuts			
		Surface Finish	
U Bolt	Hot Dipped Galvanised (refer to General Notes)	Mill/Plain	
Nuts			

General Notes

- Item supplied with 4 hex nuts.
- M8 - Carbon Steel U-bolts supplied in a Zinc Plated finish.
- Please refer to page 3 for material standards and specifications.

Pipe Size		Description	Thread Size	Centres (N)	(M)	Thread Length (K)	(S _{max})	Item Weight	Part No.	
Nominal Size	Outside Diameter (A)								Carbon Steel	Stainless Steel
NB	mm								mm	mm
15	21.3	15NB U-Bolt Guide	M8	40	50	25	10	0.07	180001	180023
20	26.7	20NB U-Bolt Guide	M8	45	55	25	10	0.08	180002	180024
25	33.4	25NB U-Bolt Guide	M8	50	60	30	10	0.08	180003	180025
32	42.2	32NB U-Bolt Guide	M8	60	70	30	10	0.09	180004	180026
40	48.3	40NB U-Bolt Guide	M10	65	85	40	16	0.18	180005	180027
50	60.3	50NB U-Bolt Guide	M10	80	100	40	16	0.20	180006	180028
65	76.1	65NB U-Bolt Guide	M12	95	120	50	19	0.33	180007	180029
80	88.9	80NB U-Bolt Guide	M16	110	140	55	19	0.67	180008	180030
100	114.3	100NB U-Bolt Guide	M16	140	165	55	19	0.78	180009	180031
125	141.3	125NB U-Bolt Guide	M16	165	190	55	19	0.89	180010	180032
150	168.3	150NB U-Bolt Guide	M20	195	225	65	19	1.65	180011	180033
175	193.7	175NB U-Bolt Guide	M20	220	280	65	19	1.81	180012	180034
200	219.1	200NB U-Bolt Guide	M20	250	275	65	19	1.98	180013	180035
225	244.5	225NB U-Bolt Guide	M20	275	300	65	19	2.14	180014	180036
250	273.0	250NB U-Bolt Guide	M20	305	335	75	22	2.36	180015	180037
300	323.9	300NB U-Bolt Guide	M20	355	385	75	22	2.68	180016	180038
350	355.6	350NB U-Bolt Guide	M24	390	425	80	22	4.28	180017	180039
400	406.4	400NB U-Bolt Guide	M24	440	475	80	22	4.75	180018	180040
450	457.2	450NB U-Bolt Guide	M24	495	525	80	22	5.23	180019	180041
500	508.0	500NB U-Bolt Guide	M24	545	575	80	22	5.70	180020	180042
550	559.0	550NB U-Bolt Guide	M24	595	625	80	22	6.17	180021	180043
600	609.6	600NB U-Bolt Guide	M24	645	675	80	22	6.63	180022	180044