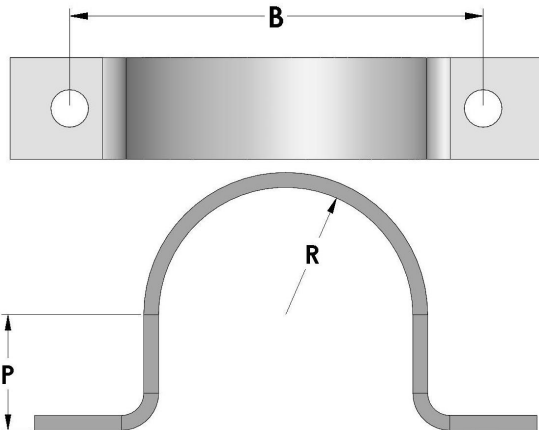




SADDLE CLAMP

BG178

When ordering, please quote Part No. for required size and surface finish.



Material
Carbon Steel
Surface Finish
Hot Dipped Galvanised or Mill

General Notes

- Bolts are not included.
- Items up to 550NB come with 2 x Bolt Holes.
- Items 600NB and above come with 4 x Bolt Holes.
- Maximum Loads shown are for Lateral Loads only.
- Dimension P = Centre of pipe to under side of saddle.
- Hot Dip Galvanised suitable up to 200°C
- Please refer to page 3 for material standards and specifications.

Pipe Size		Description	Saddle Clamp Dimensions				Load & Weight		Part No.	
Nominal Size	Outside Diameter		(P)	(R)	(B)	Hole Diameter	Max. Load At 340°C	Item Weight	Surface Finish	
NB	mm				mm	mm	kg	kg	HDG	Mill
15	21.3	15NB Saddle Clamp	8	11	102	12	40	0.62	178001	178014
20	26.9	20NB Saddle Clamp	11	14	106	12	40	0.66	178002	178015
25	33.7	25NB Saddle Clamp	14	18	110	12	55	0.68	178003	178016
32	42.4	32NB Saddle Clamp	18	22	124	15	55	0.70	178004	178017
40	48.3	40NB Saddle Clamp	21	25	154	15	80	0.72	178005	178018
50	60.3	50NB Saddle Clamp	27	31	158	15	80	0.78	178006	178019
65	76.1	65NB Saddle Clamp	32	40	170	19	116	1.34	178007	178020
80	88.9	80NB Saddle Clamp	39	46	190	19	116	1.50	178008	178021
100	114.3	100NB Saddle Clamp	51	59	208	19	116	1.73	178009	178022
125	139.7	125NB Saddle Clamp	64	72	230	24	127	2.47	178010	178023
150	168.3	150NB Saddle Clamp	78	86	264	24	127	2.99	178011	178024
175	193.7	175NB Saddle Clamp	91	99	320	24	127	5.23	178012	178025
200	219.1	200NB Saddle Clamp	103	112	344	24	143	5.76	178013	178026
225	244.5	225NB Saddle Clamp	115	124	380	24	143	6.29	178027	178043
250	273	250NB Saddle Clamp	129	139	410	24	143	6.89	178028	178044
300	323.9	300NB Saddle Clamp	154	164	460	24	143	7.94	178029	178045
350	355.6	350NB Saddle Clamp	170	180	490	24	143	8.59	178030	178046
400	406.4	400NB Saddle Clamp	195	205	550	28	143	9.77	178031	178047
450	457	450NB Saddle Clamp	220	231	600	28	143	11.08	178032	178048
500	508	500NB Saddle Clamp	246	256	650	28	163	11.88	178033	178049
550	559	550NB Saddle Clamp	271	282	710	28	163	12.98	178034	178050
600	610	600NB Saddle Clamp	296	308	760	24	163	21.48	178035	178051
650	660	650NB Saddle Clamp	321	333	810	24	163	23.08	178036	178052
700	711	700NB Saddle Clamp	347	358	860	24	163	24.71	178037	178053
750	762	750NB Saddle Clamp	371	385	920	24	163	26.57	178038	178054
800	813	800NB Saddle Clamp	395	410	990	28	204	45.76	178039	178055
850	864	850NB Saddle Clamp	421	435	1040	28	204	48.61	178040	178056
900	914	900NB Saddle Clamp	446	460	1090	28	204	51.01	178041	178057
1000	1016	1000NB Saddle Clamp	497	511	1200	28	204	56.21	178042	178058