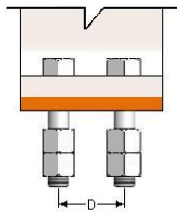
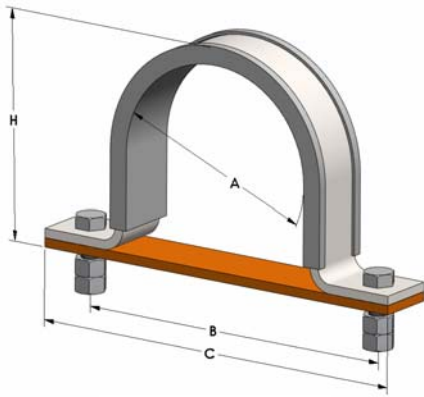


INSULATED PIPE SADDLE GUIDE

For Cupro-Nickel Cu/Ni Pipes
Temperature range -35°C up to 100°C

BG164

When ordering, please quote the Part No. for required pipe size and material.



Material		
Saddle, Bolts & Nuts	Carbon Steel	Stainless Steel
Base	Tufnol – Bear Brand	
Insulator	Neoprene Compound	
Surface Finish		
Saddle	Hot Dipped Galvanised	Mill
Fasteners		Plain

General Notes

- Insulator profile has self extinguishing fire retardants and is suitable for hydrocarbon installations such as oil and gas.
- 10mm thick Tufnol insulating base prevents possible electrolytic action between pipe and supporting steelwork.
- Bolt length to suit support structure of 12mm.
- 600NB Supplied with 4 x Fasteners. 2 per side.
- Dim H, is from the under side of Tufnol to the top of the saddle.
- Please refer to page 3 for material standards and specifications.

Pipe Size		Description	Hole Details		Dim C	Dim H	Dim A	Dim D	Item Weight	Part No.	
Nominal Size	Outside Diameter		Bolt Size	Centres B						Carbon Steel	Stainless Steel
NB	mm		mm	mm	mm	mm	mm	mm	kg		
15	16	15NB Insulated Pipe Saddle	M10	102	142	39	18	-	0.34	164001	164015
20	25	20NB Insulated Pipe Saddle	M10	112	152	48	27	-	0.39	164002	164016
25	30	25NB Insulated Pipe Saddle	M10	122	162	53	32	-	0.42	164003	164017
32	38	32NB Insulated Pipe Saddle	M12	133	173	62	41	-	0.47	164004	164018
40	44.5	40NB Insulated Pipe Saddle	M12	133	173	69	48	-	0.48	164005	164019
50	57	50NB Insulated Pipe Saddle	M12	137	177	84	60	-	0.75	164006	164020
65	76	65NB Insulated Pipe Saddle	M16	164	214	104	80	-	0.95	164007	164021
80	89	80NB Insulated Pipe Saddle	M16	180	236	117	93	-	1.33	164008	164022
100	108	100NB Insulated Pipe Saddle	M16	210	266	136	112	-	1.55	164009	164023
150	159	150NB Insulated Pipe Saddle	M20	280	348	189	163	-	3.37	164010	164024
200	219	200NB Insulated Pipe Saddle	M20	361	429	250	224	-	4.37	164011	164025
250	267	250NB Insulated Pipe Saddle	M20	415	473	304	272	-	7.4	164012	164026
300	324	300NB Insulated Pipe Saddle	M20	465	525	360	328	-	8.61	164013	164027
350	368	350NB Insulated Pipe Saddle	M20	515	595	405	373	-	9.47	164014	164028
400	419.1	400NB Insulated Pipe Saddle	M24	569	639	461	424	-	12.58	164040	164029
450	457.1	450NB Insulated Pipe Saddle	M24	605	675	499	462	-	12.78	164041	164030
500	508	500NB Insulated Pipe Saddle	M24	655	735	550	513	-	14.03	164042	164031
600	610	600NB Insulated Pipe Saddle	M20	764	835	647	615	60	30.55	164043	164032

NOTE:

THE "BG164" HAS RECENTLY BEEN ADDED TO THE BINDER GROUP STANDARD PRODUCT RANGE AND IS NOT IN THE CURRENT 2010 EDITION CATALOGUE.