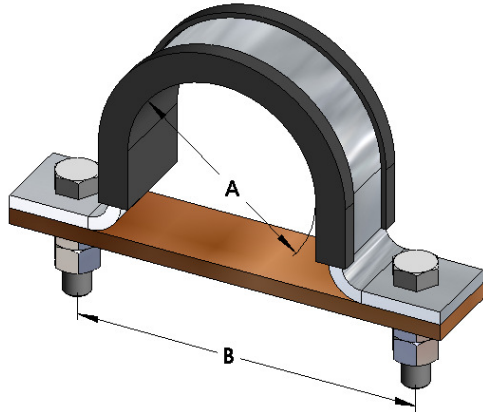


When ordering, please quote the Part No. for required pipe size.



Material	
Saddle, Bolts & Nuts	Stainless Steel
Base	Cork & Neoprene Composite
Insulator	Neoprene Compound
Surface Finish	
Saddle	Mill
Fasteners	Plain

General Notes

- Insulator profile has self extinguishing fire retardants and suitable for hydrocarbon installations such as oil and gas.
- Insulating base is 10mm thick cork and neoprene composite.
- Bolt length to suit support structure of 12mm.
- Please refer to page 3 for material standards and specifications.

Pipe Size		Description	Hole Details		Item Weight	Part No.
Nominal Size	Outside Diameter (A)		Bolt Size	Centres (B)		
NB	mm		mm	mm		
25	33.6	25NB Insulated Pipe Saddle	M10	120	0.59	162001
40	49.0	40NB Insulated Pipe Saddle	M12	130	0.65	162002
50	61.3	50NB Insulated Pipe Saddle	M12	138	1.15	162003
80	90.0	80NB Insulated Pipe Saddle	M16	174	1.53	162004
100	115.6	100NB Insulated Pipe Saddle	M16	206	1.85	162005
150	169.8	150NB Insulated Pipe Saddle	M20	276	3.70	162006
200	222.8	200NB Insulated Pipe Saddle	M20	356	4.67	162007
250	280.1	250NB Insulated Pipe Saddle	M20	412	8.05	162008