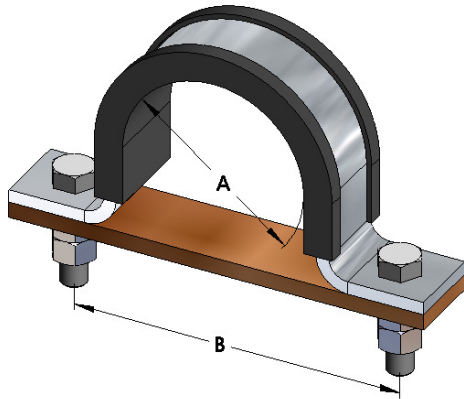


INSULATED PIPE SADDLE

For Stainless Steel, Duplex or Super Duplex Pipes
Temperature range -35°C to 100°C

BG160



When ordering, please quote the Part ID for required pipe size and material.

		Material	
Saddle, Bolts & Nuts	Carbon Steel	Stainless Steel	
Base	Tufnol – Bear Brand		
Insulator	Neoprene Compound		
		Surface Finish	
Saddle	Hot Dipped Galvanised	Mill	
Fasteners		Plain	

General Notes

- Insulator profile has self extinguishing fire retardants and suitable for hydrocarbon installations such as oil and gas.
- 10mm thick Tufnol insulating base prevents possible electrolytic action between pipe and supporting steelwork.
- 600NB Saddle is supplied with 2 fasteners per side.
- Bolt length to suit support structure of 12mm.
- Please refer to page 3 for material standards and specifications.

Pipe Size		Description	Hole Details		Item Weight	Material	
Nominal Size	Outside Diameter (A)		Bolt Size	Centres (B)		Carbon Steel	Stainless Steel
NB	mm		mm	mm	kg		
15	21.3	15NB Insulated Pipe Saddle	M10	100	0.36	160001	160019
20	26.9	20NB Insulated Pipe Saddle	M10	110	0.39	160002	160020
25	33.7	25NB Insulated Pipe Saddle	M10	120	0.43	160003	160021
32	42.4	32NB Insulated Pipe Saddle	M12	130	0.48	160004	160022
40	48.3	40NB Insulated Pipe Saddle	M12	130	0.49	160005	160023
50	60.3	50NB Insulated Pipe Saddle	M12	134	0.77	160006	160024
65	76.1	65NB Insulated Pipe Saddle	M16	160	0.95	160007	160025
80	88.9	80NB Insulated Pipe Saddle	M16	174	1.33	160008	160026
100	114.3	100NB Insulated Pipe Saddle	M16	206	1.58	160009	160027
150	168.3	150NB Insulated Pipe Saddle	M20	276	3.45	160010	160028
200	219.1	200NB Insulated Pipe Saddle	M20	356	5.20	160011	160029
250	273.0	250NB Insulated Pipe Saddle	M20	410	7.47	160012	160030
300	323.9	300NB Insulated Pipe Saddle	M20	460	8.61	160013	160031
350	355.6	350NB Insulated Pipe Saddle	M20	490	9.32	160014	160032
400	406.4	400NB Insulated Pipe Saddle	M24	550	10.64	160015	160033
450	457.0	450NB Insulated Pipe Saddle	M24	600	11.77	160016	160034
500	508.0	500NB Insulated Pipe Saddle	M24	650	12.90	160017	160035
600	610.0	600NB Insulated Pipe Saddle	M20 x 2	750	23.29	160018	160036